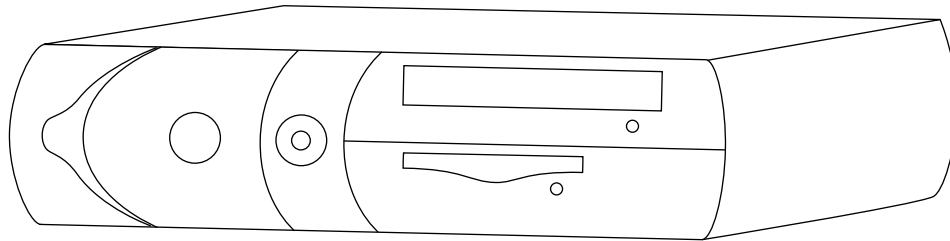


Preliminary



SPECIFICATIONS

- APPLICATIONS**
 - TV Studio
 - University
 - Regional Theater
 - Touring Shows
 - Special Events
- FEATURES**
 - Up to 5000 channels and 32000 dimmers
 - ETCNet2 Ethernet native
 - Pentium based processor
 - 20 Gb hard drive
 - CD/RW drive
 - Floppy drive
 - Sound Blaster® Compatible Sound Card
 - 3 USB ports
 - 2 serial ports
 - 1 parallel printer port
 - 19" rack mountable
 - Comes with WYSIWYG™ Report stand-alone software package included
 - WYSILink message logging as standard
 - Full WYSILink optional
- ACCESSORIES**
 - 1 Standard or Flat screen monitor
 - Remote Focus Unit (RFU)
 - Video Node
 - DMX Node Rack Mount
 - DMX Node Wall Mount
 - DMX Node Touring
 - DMX Node Two Port
 - Alpha Numeric Keyboard (Included)
 - Scroll Mouse (Included)
 - Tower Stand
 - 5 Port Ethernet Switch
- SYSTEM**
 - Requires Emphasis Facepanel and Ethernet Hub/Switch for operation.

(See "Emphasis ECS Facepanel" data sheets for more details).

ORDERING INFORMATION

Emphasis 2D Servers

Model#	Description
EMPH-2D-500	2D Server 500 channels
EMPH-2D-1000	2D Server 1000 channels
EMPH-2D-2500	2D Server 2500 channels
EMPH-2D-5000	2D Server 5000 channels
EMPH-2D-500-L	2D Server 500 channels with WYSILink
EMPH-2D-1000-L	2D Server 1000 channels with WYSILink
EMPH-2D-2500-L	2D Server 2500 channels with WYSILink
EMPH-2D-5000-L	2D Server 5000 channels with WYSILink

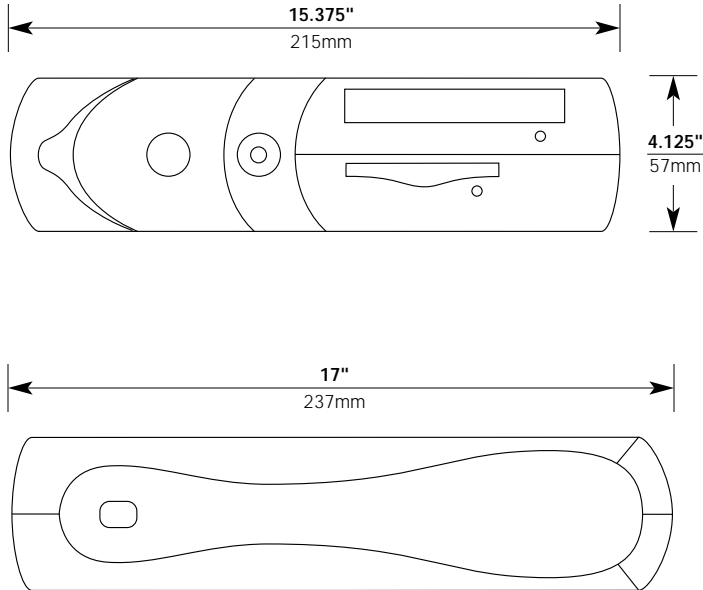
Other Products in Emphasis Series

Model#	Description
EMPH-3D	See data sheet for more details
EMPH - EXPN ECS	Expression ECS Facepanel
EMPH - INST ECS	Insight ECS Facepanel
EMPH - EXPS ECS	Express ECS Facepanel
EMPH - EXPS24 ECS	Express 24/48 ECS Facepanel
EMPH - EXPS48 ECS	Express 48/96 ECS Facepanel
EMPH - EXPS72 ECS	Express 72/144 ECS Facepanel

Emphasis Server Accessories

Model#	Description
DMX Nodes	See data sheets for more details
VNODE	Video Node
M218	VGA Color Monitor (CRT)
M219	LCD Flat Screen Display
M732	Emphasis Server Tower Stand
M733	Emphasis Server 19" Rack-Mount Tray
N1029	5 Port Ethernet Switch
M862	Dual Video Card
M863	Replacement Video Adapter Cables
EMPH-2D-Recovery CD	Replacement 2D Recovery Disk Set
EMPH-3D-Recovery CD	Replacement 3D Recovery Disk Set





PHYSICAL

Emphasis 2D Server Dimensions*

Model	Height		Width		Depth	
	inches	mm	inches	mm	inches	mm
Emphasis 2D Server	4.125	57	15.375	215	17	237

Emphasis Accessories Dimensions*

Model	Height		Width		Depth	
	inches	mm	inches	mm	inches	mm
DMX Node – rack	1.8	45	17	432	12.5	320
DMX Node – wall mount	8	203	8	203	4.1	105
DMX Node – Two Port	2	117	4.5	114	2.75	70
Video Node	1.8	45	17	432	12.5	320

WEIGHTS

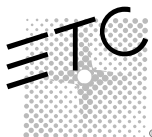
Emphasis 2D Server Weights*

Model	Weight		Shipping Weight	
	lbs	kgs	lbs	kgs
Emphasis 2D Server	21.4	9.7	34.4	15.6

Emphasis Accessories Weights*

Model	Weight		Shipping Weight	
	lbs	kgs	lbs	kgs
DMX Node – rack	8	3.6	18	8.2
DMX Node – wall mount	2.2	1	10	4.5
DMX Node – Two Port	2	1	4.5	2
Video Node	8	3.6	18	8.2

* Weights and dimensions typical



Americas ■ 3030 Laura Lane, P.O. Box 620979, Middleton, WI 53562-0979 USA ■ Tel: +1 608 831 4116 ■ Fax: +1 608 836 1736 ■ Toll free: 800 688 4116 ■ Toll free fax: 800 555 8912

Europe ■ Unit 5, Victoria Industrial Estate, Victoria Road, London W3 6UU, UK ■ Tel: +44 (0)20 8896 1000 ■ Fax: +44 (0)20 8896 2000

Asia ■ Room 605-606, Tower III Enterprise Square, 9 Sheung Yuet Road, Kowloon Bay, Kowloon, Hong Kong ■ Tel: +852 2799 1220 ■ Fax: +852 2799 9325

Web: www.etconnect.com ■ **Email:** (US) mail@etconnect.com ■ (UK) mail@etceurope.com ■ (Asia) mail@etcasia.com

© Copyright © 2002 ETC, Inc. All Rights Reserved. All product information and specifications subject to change. 4200L1006 Rev. A Printed in USA 08/02